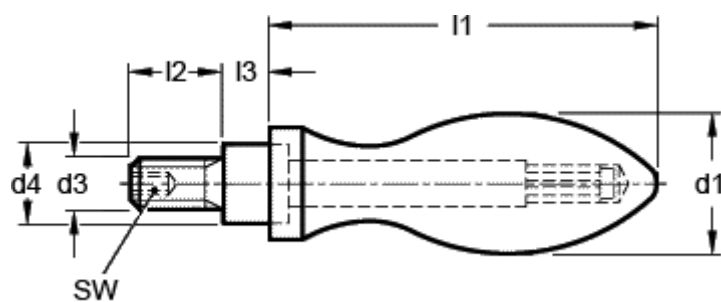


Article number: 20112030

Description: E+G Revolving handle  
DIN 98-KT-32-E

## Measures

---



|              |        |
|--------------|--------|
| $d1$         | = 32   |
| $d3$         | = M12  |
| $d4$ h13     | = 20   |
| $l1$ approx. | = 95   |
| $l2$         | = 21   |
| $l3$         | = 10.5 |
| $SW$         | = 6    |